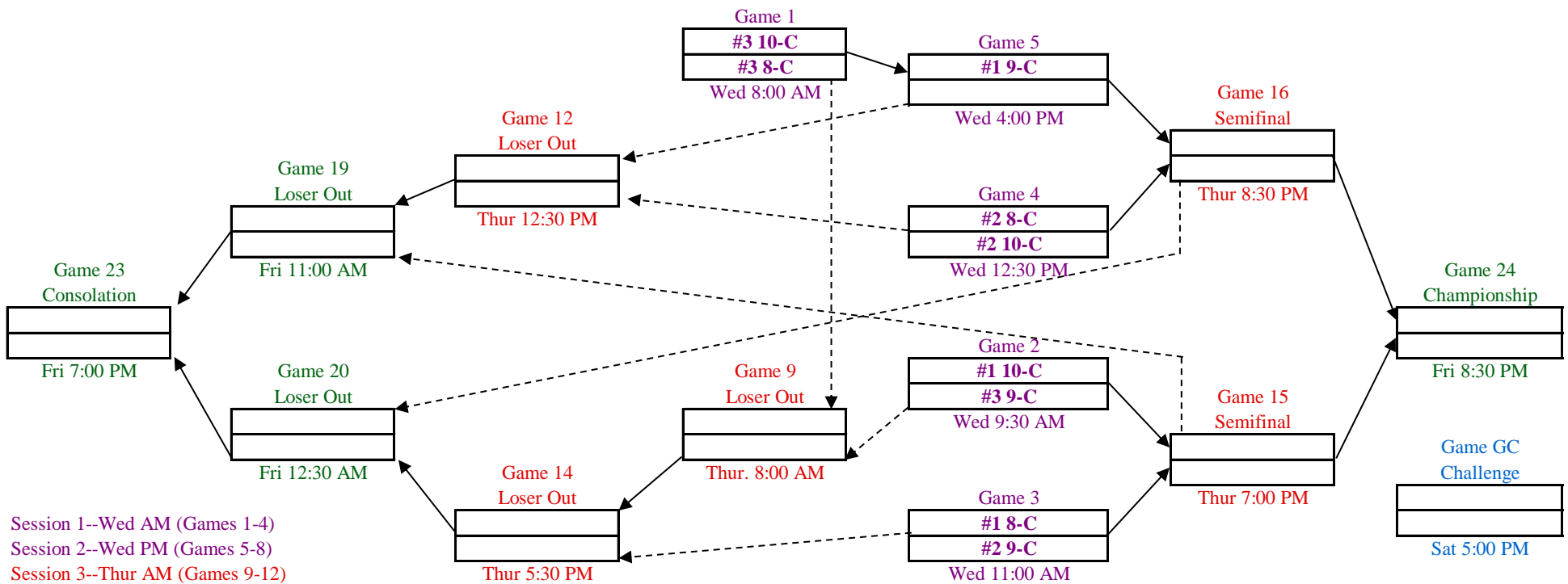


# Northern "C" Divisional Brackets 2019

## Northern "C" Divisional Girls Basketball Tournament 2019



- Session 1--Wed AM (Games 1-4)
- Session 2--Wed PM (Games 5-8)
- Session 3--Thur AM (Games 9-12)
- Session 4--Thur PM (Games 13-16)
- Session 5--Fri AM (Games 17-20)
- Session 6--Fri PM (Games 21-24)
- Session 7--Sat AM (Games 25-26)
- Session 8--Sat PM (Games GC-27-28)
- Session 9--Monday 6:00 PM (BC)

Northern C Division  
 President/Tournament Manager - Brian Campbell North Star A.D.  
 Vice-President - Paula Molyneaux Chinook A.D.  
 Secretary - Vance VonBergen Stanford A.D.  
 Treasurer - Linda Michael Dutton-Brady A.D.

